



AIR CONDITIONING



REFRIGERATION



HEATING



Mini Aqua[®]

CONDENSATE REMOVAL PUMP

The world's slimmest condensate removal pump is designed to fit where other's can't!



12L/h max. flow



10m max. rec. head (flow rate 6L/h)



21dB(A) @ 1m

KEY FEATURES

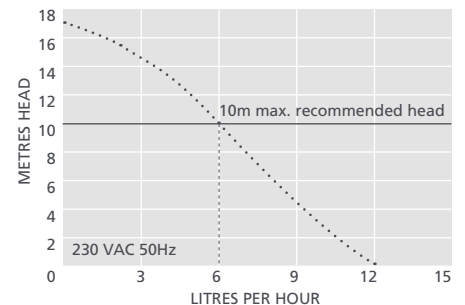
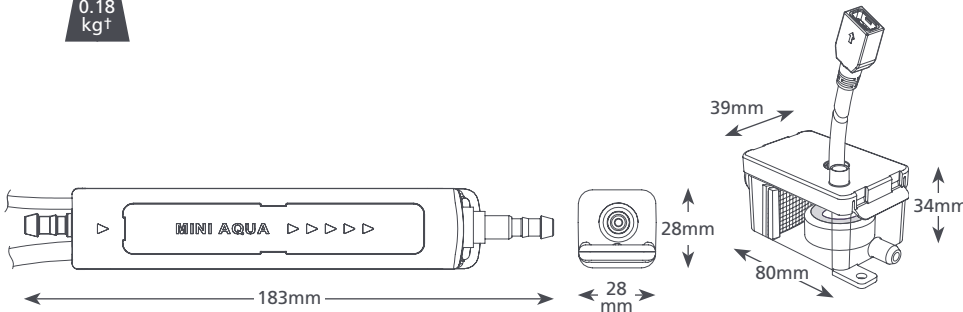
- Ultra slim
- High performance
- Plug & play
- Anti siphon device

SUITABILITY

- Up to 16kW / 54,000Btu/h
- High wall mini split systems; Ducted units; Floor standing & Chassis units
- ✓ **Perfect for...** Installing directly inside the unit



0.18 kg†



MINI AQUA @ 230 VAC 50Hz

| | |
|--------------------|------------------------------------------------------|
| Max. flow | 12L/h @ 0m head |
| Max. rec. head | 10m |
| Max. suction lift | 2m |
| dB(A) @ 1m | 21 |
| Power supply | 230 VAC, 0.1A, 16W, 50/60Hz |
| Rated Class | Non continuous II appliance <input type="checkbox"/> |
| Max. unit output | 16kW / 54,000Btu/h |
| Max. water temp | 40°C / 104°F |
| Discharge tube | 6mm ID |
| IP Protection | IP24 |
| Safety switch | 3.0A Normally closed |
| Thermal protection | ✓ |
| Fully potted | ✓ |
| Self priming | ✓ |

MINI AQUA OPTIONS

| | |
|--------------------|----------|
| Mini Aqua (Europe) | FP2406/2 |
| † Pump only | |

IN THE BOX

- Mini Aqua pump
- 1.5m Plug & play power cable
- Reservoir (inc. filter, float, lid)
- 150mm Vinyl breather tube 6mm ID
- Anti siphon device
- 1.5m Suction tube 6mm ID
- 220mm Blue inlet hose 14mm ID
- Drain connector kit
- Fixing kit
- Install manual

- 📖 Download manual at aspenspumps.com
- ▶ View install video at aspenspumps.com

SUGGESTED XTRA ACCESSORIES

| Description | Part No. |
|-------------------------------|----------|
| 1 Amp Fuse | FP2620 |
| Tube To Soil Stack Adaptor | FP2038 |
| Vinyl Tube Braided 1/4" (6mm) | AX5100 |
| Inline Filter 16mm | FP2640 |

For more installation accessories take a look at our Aspen Xtra range

Information correct at time of going to press.



+44 (0)1323 848842

reliable | silent | simple